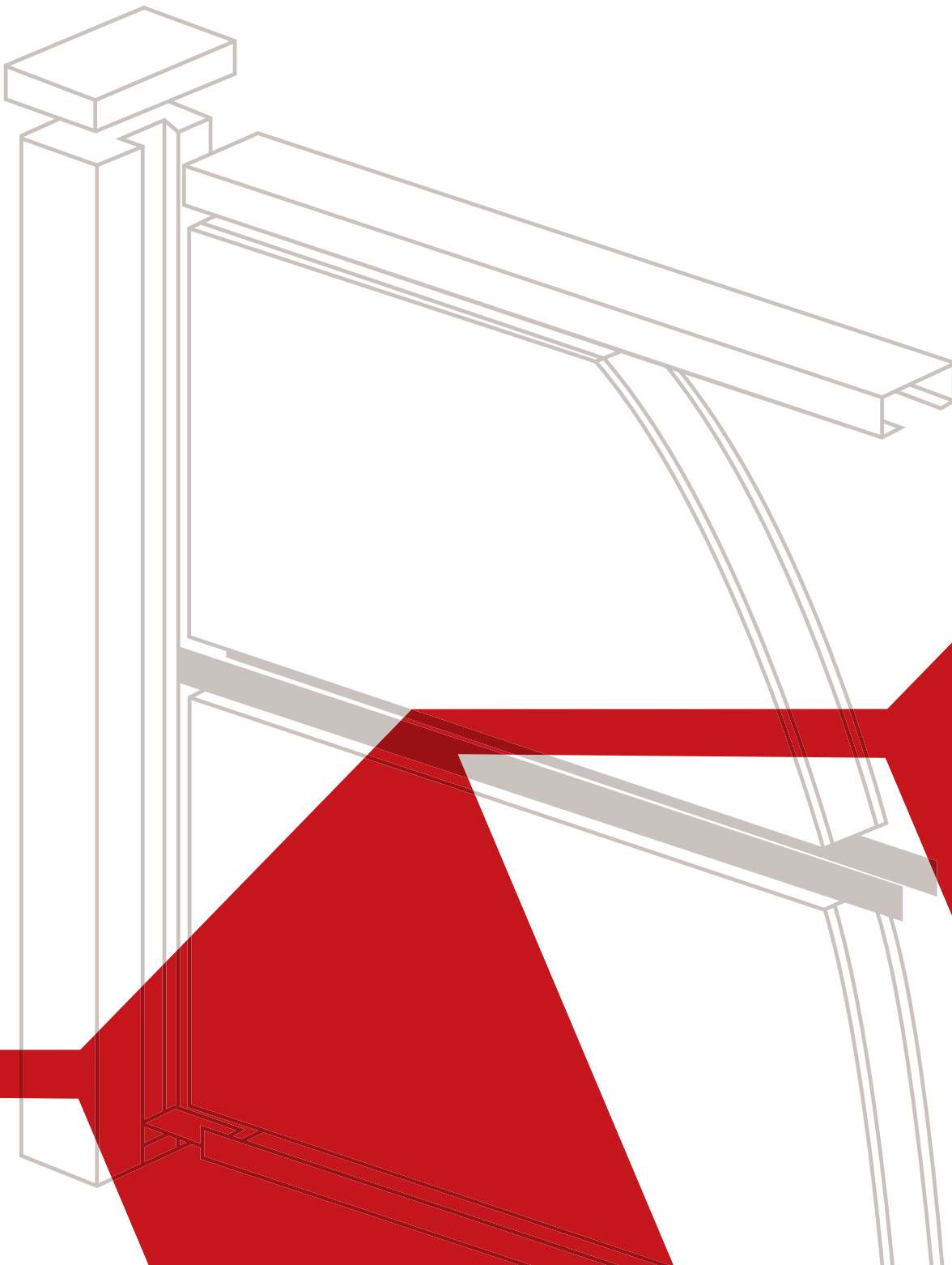


Modular Wall
systems™

Slat Installation Guide

Channel Mounting



Introduction

This guide will show you how to install 65x16mm slats in between your posts



IMPORTANT

Please read all the instructions prior to starting the installation of your Slats. Understanding the process correctly will be the difference between a good and great result.

The recommendations detailed in this guide produced by MWS are formulated along the lines of good building practice. They are not intended to be an exhaustive statement of all the relevant data. Further, as the success of projects depend on factors outside the control of MWS (e.g. quality of workmanship, particular design, detail requirements, etc), MWS accepts no responsibility for, or in connection with, the quality of the projects or their suitability when completed.

If you are in any doubt please seek independent advice or contact MWS. We are always happy and available to answer questions regarding installation no matter how small or insignificant you think they may be.

24/7 technical and installation advice is available on ph: 0417 414 441

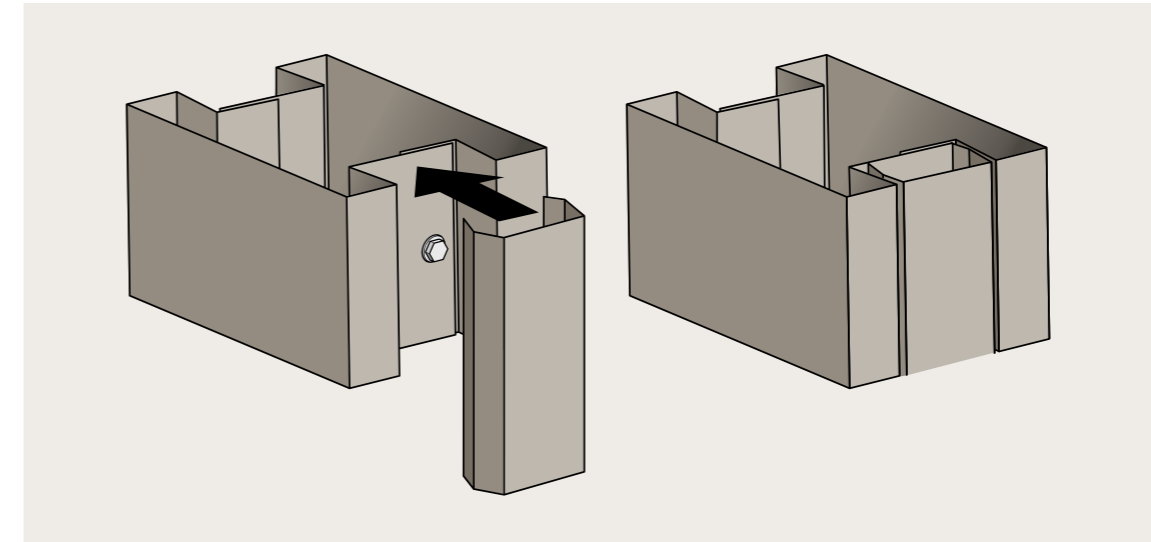
It is recommended the reader pays particular attention to items identified as IMPORTANT in this manual to ensure a satisfactory installation and the long term performance of the products.



Installation

STEP 1 - Installing the channels onto the surface - in this case it is an MWS standard end post infill

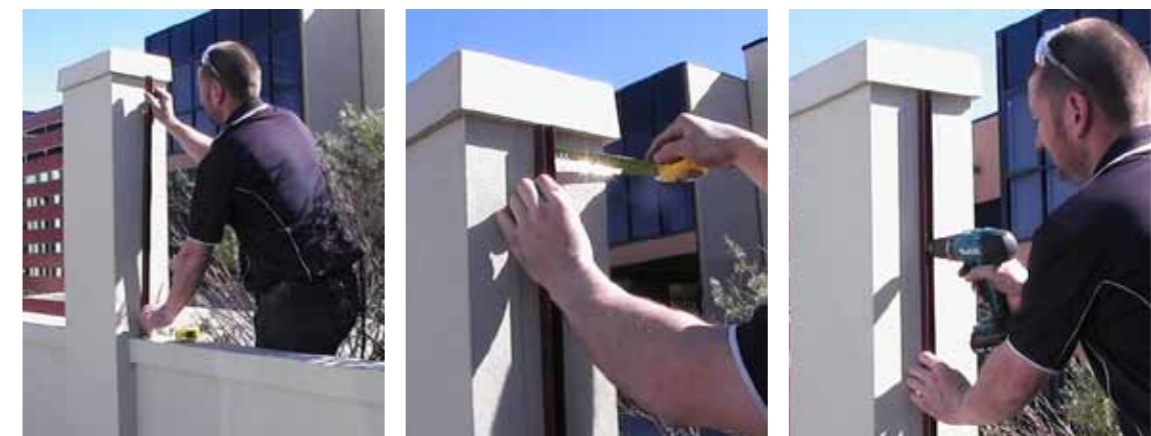
Insert your end post infill into the post (this procedure is covered in the 'Up to 3m wall installation guide').



STEP 2 - Install your mounting channels

Over a 600mm length it is recommended that approx. 4 fixings be used along the length of the channel. These can be screws, rivets or any appropriate anchor for the substrate behind the channel i.e. a masonry anchor if attaching to brickwork.

Install both mounting channels at this stage.





STEP 3 - Slat spacing

Be sure that the spacer you use wont mark the finished surface of the slat. Plastic spacers/shims in the correct size as pictured below can be purchased from most hardware stores.

NOTE – gaps always ‘grow’ so if you determine that you need a 10mm gap a spacer/packer closer to 9 - 9.5mm would probably be more suitable. This is just something to be aware and cautious of.



STEP 4 - Cutting your slats to the correct length

Measure from inside of one channel to the inside of the next. Remember you need to provide clearance for the slat to travel past the heads of the channel mounting screws. Allow approx 10mm clearance more than the tight measurement between back of the 2 channels. There is NO advantage of being super tight, you will only cause yourself difficulties during installation.

Cut one slat first and try it before cutting them all, it should be a nice a free fit and not collide with the screws inside the channels.

STEP 5 - Installing your slats

With your spacer on the bottom install the first slat. Secure the slat to the channel using a single screw or rivet through the channel and into the slat on the rear side of the wall.



Continue this for all slats until installed. Secure one slat at a time and keep moving your spacer up as you go.



STEP 6 - Vertical Brace (optional)

To stabilize the slats in the middle over longer spans you can install a vertical brace.

Measure the height of the slats and minus 10mm. This is the length you will cut your vertical brace at ie; if you measure 590mm from the bottom of the slats to the top you will cut your vertical brace at 580mm.

Fit the plastic end caps to your vertical brace



Mark the middle of the slats and apply a small square of high strength double sided tape (we use and recommend 3M tapes that are suitable for powder coat finishes)

Remember to clean both surfaces that the double sided tape will be applied to with a suitable alcohol wipe.

Next to the square of double sided tape also place a small daub of exterior grade silicone. The double sided tape is there to hold the vertical brace in position whilst the silicone dries.

Finished Examples



Making sure the vertical brace is square and vertical gently push it into position with someone on the other side of the slats pushing back to counteract your pushing action.

STEP 7 - Finishing your wall

Once you have finished the installation of your slats you can now complete your wall by fitting the post tops (as per the wall installation guide)

